



# 2016

**OFFICIAL RULES & REGULATIONS**

**DIRT**

**MINI STOCK**

***NOTE: THIS IS A NEW RULEBOOK IN 2016 - PLEASE READ CAREFULLY!***

All cars **MUST** be equipped with a working *RACEceiver*-type one-way scanner unit.  
*RACEceiver website: [www.raceceiver.com](http://www.raceceiver.com)*



Devil's Bowl Speedway  
Mailing Address: 261 Randbury Rd., Rutland, VT 05701  
Physical/GPS Address: 2743 Route 22A, West Haven, VT 05743  
Phone: (802) 265-3112 | Email: [devilsbowlspeedway@gmail.com](mailto:devilsbowlspeedway@gmail.com)  
Website: [www.DevilsBowlSpeedwayVT.com](http://www.DevilsBowlSpeedwayVT.com)

## **1. DIVISION SPECIFICATIONS**

These rules have been developed as an attempt to keep the Mini Stock division affordable and at a hobby level. Contact management BEFORE making any modifications not listed here.

Safety is the biggest priority. All construction must meet Devil's Bowl Speedway specs. No equipment will be considered as having been approved by reason of having passed through inspection unobserved. The technical inspector shall determine whether any type of construction, design, or interpretation of any rule shall be accepted.

## **2. GENERAL RULES**

1. The rules and/or regulations set forth herein are designed to provide for the orderly conduct or racing events and to establish minimum acceptable requirements for such events. These rules shall govern the condition of all events, and by participating in these events all participants are deemed to have obtained, read, understood, and complied with these rules. **NO EXPRESSED OR IMPLIED WARRANTY OF SAFETY SHALL RESULT FROM PUBLICATION OF OR COMPLIANCE WITH THESE RULES AND/OR REGULATIONS;** they are intended as a guide for the conduct of the sport and are in no way a guarantee against injury and/or death to a participant, spectator, or official. The interpretation and invoking of the rules published herein shall be determined by the officials at their professional discretion.
2. It is the responsibility of the competitor to obtain and become familiar with the current rules pertaining to the division in which he/she chooses to participate. The driver is as responsible as the owner, and it shall be the responsibility of both to know which parts are used in the race car that he/she owns and/or may be driving.
3. Any item not covered in these rules must remain stock or be approved in writing by Devil's Bowl Speedway. If any item being considered by a competitor is not addressed in these rules, the competitor is required to contact management for a judgment of its acceptability.
4. Technical Director and/or Track Manager will have final say on all rules, procedures, regulations, and/or technical authorities.
5. The safety of all drivers is paramount. A driver must display the ability to control his or her car and be able to keep pace with the field in order to maintain their regular handicap. All rookie and/or novice drivers will be evaluated on a case-by case-basis. Any driver that cannot keep pace with the field may be assigned a starting position at the rear of the field until he or she can display enough control and speed to compete and maintain a regular handicapped position.
6. Management reserves the right to add weight to any car at any time to ensure a level playing field.

## **3. ELIGIBLE MODELS**

1. Open to any hardtop 4-cylinder 4-door sedan. Hatchback or 2-door sedan allowed if model was also produced with 4-door body style. (Exception: 1979-93 Ford Mustang allowed.) No trucks, convertibles, or sports cars.
2. All-wheel drive cars may be converted to front-wheel drive by removing rear driveshaft.
3. Minimum wheelbase 96", maximum wheelbase 104.5". Both sides must be same length.
4. Eligible model years up to and including 2006; contact officials concerning other years.
5. All teams must declare year, make, and model prior to competing. **DO NOT REMOVE** factory-issued Vehicle Identification Number (VIN) plate! (VIN plate will be required on all cars by 2017.)

## **4. WEIGHT**

1. Management reserves the right to add or remove weight and/or change percentages on any car at any time in the interest of parity. Cars may be adjusted on an individual basis.

2. Weights will be as follows:
  - **Single Cam Cars**  
Minimum 2,350 lbs.
  - **Dual Overhead Cam Cars**  
Minimum 2,500 lbs.
  - **Subaru (stock FWD; or AWD converted to FWD)**  
Minimum 2,550 lbs.
3. All added ballast must be made of lead – no other materials permitted.
4. Ballast must be painted white with car number highly visible in black. Ballast must be 5 lbs. minimum, bolted securely to unibody/frame rails and in plain view. All ballast must be located ahead of centerline of rear axle and above or inside unibody/frame rails. No ballast may be hung under floor.
5. All teams are advised to read this rulebook carefully to see where other weight may be required.

## 5. CAR & BODY SPECIFICATIONS

1. Remove all glass, lights, and trim. Windshield may remain stock glass or be replaced with full-length Lexan or ½" wire mesh screen. No Plexiglas allowed. Must have two (2) one-inch (1") upright supports, equally spaced.
2. Rear windshield and door windows must be kept open and clear. No glass, Lexan, Plexiglas, screen, metal, or any other material may cover window openings. Exception: Rear quarter windows may be covered with clear Lexan only.
3. All body panels must remain stock or stock appearing for year, make, and model. Inner tin may be removed from trunk lids, hoods, and inside of door panels. Doors and lower section of rear quarter panels may be replaced with aftermarket or steel panels, but MUST retain stock body line and appearance.
4. All doors must be welded, bolted, or chained shut.
5. Bumper and/or bumper cover must maintain stock appearance. Bumper may be reinforced but must be securely attached to chassis. Replacement aftermarket racing-type plastic nose and tail only allowed with PRIOR approval.
6. No external bars or rub rails allowed.
7. All stock seats, interior upholstery, fabric, plastic, and chrome must be removed.
8. All holes in floor and front and rear firewalls must be covered with tin or steel.
9. Dashboard must remain stock or may be replaced with aluminum.
10. All sunroof and/or T-top assembly must be removed and covered with steel.
11. Hood and trunk latches must be removed. Minimum two (2) pins each in hood and trunk.
12. Must have at least one (1) tow hook on both front and rear of car.
13. **Mini Modifieds – Teams are strongly advised to not build any new cars with Mini Modified bodies.**
  - a. Front fenders must be removed. Interior tin, wheel wells, etc. may be removed from engine compartment. Hood may be cut, modified, or replaced with a flat piece of steel or aluminum.
  - b. Front bumper must not be wider than width of front frame rails – this rule will be strictly enforced. May be stock bumper or may be replaced with Modified-type “cow catcher.” MUST have ends rounded back to connect with chassis to prevent “hooking” on track.
  - c. Rear bumper may be stock or Modified-type. Bumper must not stick out beyond width of fenders and must have ends rounded to connect with body/chassis.
  - d. No external bars or rub rails allowed.
  - e. Mini Modified Body Option #1:
    1. Doors and rear quarter panels may be replaced with aftermarket, steel, or aluminum panels, but MUST retain stock body line and appearance. Roof, trunk, and all other panels must remain factory stock.

2. Cars running this body option must add 25 pounds. Management reserves the right to add or remove weight and/or change percentages to any car at any time to ensure parity.

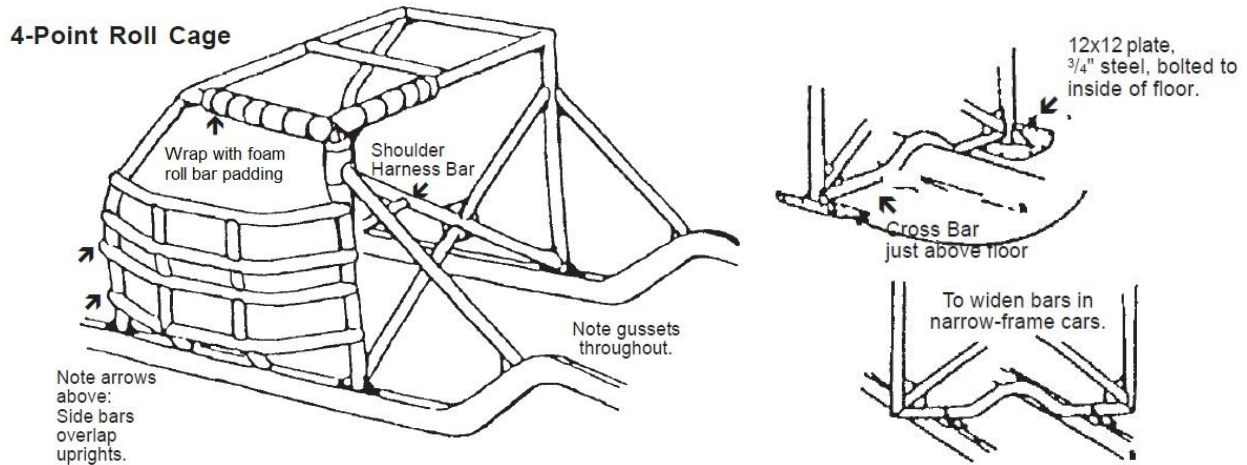
f. Mini Modified Body Option #2:

1. All panels may be replaced with straight steel or aluminum in the style of a traditional Modified body. Inside panels must be kept in place along with floorboard.

2. Cars running this body option must add 50 pounds. Management reserves the right to add or remove weight and/or change percentages to any car at any time to ensure parity.

## 6. ROLL CAGE

1. A roll cage is mandatory and must consist of four uprights joined together at all four corners of the top. Cage must be securely mounted with plates welded AND bolted to unibody or frame rails. Welds must be clean and uniform. (See diagram.)
2. All roll cage material must be minimum 1-3/4" diameter tubing with minimum .095" wall thickness. No square stock, angle iron, I-Beam, or any other material will be permitted. NONE. No splices in main cage.
3. The two rear uprights must be joined by an "X" brace, or by two horizontal bars and a diagonal bar.
4. Left side MUST have four (4) curved door bars with upright supports between bars. Right side must have three (3) curved door bars with supports between bars (recommended), or "X" style bars. Gussets highly recommended.
5. Horizontal bar required between the two front uprights at dashboard level.
6. Front and rear hoops allowed. Must remain within unibody/chassis structure. No external bars or rub rails.
7. Roll cage and/or other bars may not alter the geometry of the car.



## 7. SAFETY

1. All cars must have an aluminum racing seat (full containment seat recommended, no fiberglass allowed, factory stock seats not allowed) that must be fastened to roll cage, NOT bolted to the floorboard. Seat must have four (4) bolts in seat pan mounted to roll cage (not floor) and two (2) bolts on headrest/seatback area mounted to roll cage, using no less than 3/8" Grade 5 bolts. NO EXCEPTIONS.
2. Approved quick-release racing seat belts required. Belts must be in good condition, recommended to be not more than three (3) years old. Stock passenger seat belts not

permitted. Seat belts must be properly bolted (not welded) to roll cage (see diagram). No cam lock seat belts allowed.

3. Approved driver window net mandatory – one inch (1”) webbing minimum. Must be mounted on 3/8” steel rod, top and bottom. Must be attached at top front and bottom front by quick-release or seat belt-type latching device. Net must be taut when latched.
4. Maximum ONE (1) mirror allowed per car. Must be standard-type rear view mirror or maximum 2” spot mirror. No truck mirrors allowed.
5. Splash guard required behind driver’s head and shoulders – Lexan recommended.
6. Fully charged on-board fire extinguisher with working gauge required. Extinguisher must be mounted on crossbar on driver’s right side with quick release (no taping), within reach of driver and accessible to safety crew from both left and right side windows.
7. Safety cut-off switch required on crossbar on driver’s right side, within reach of driver and accessible to safety crew from both left and right side windows.
8. Battery must be mounted under hood in stock location, fully encased to prevent terminals from shorting out.
9. Rear-wheel drive driveshaft must be steel only and painted white. No aluminum driveshafts allowed. Two 360° driveshaft loops are required. Must be constructed of at least 1/4” x 2” steel.
10. All roll bars within reach of driver must be padded with closed cell foam padding. Center of steering wheel must be padded.

## 8. ENGINE

1. Engine must be FACTORY STOCK for year, make, and model. All mechanical and electrical engine components must remain stock. Must have stock block, cylinder head, intake, carburetor or fuel injection, exhaust, ignition, flat top pistons, rods, and crankshaft for year, make, and model. No mixing and matching of parts. No high-output or special edition engines. (Examples: No Chrysler Shelby, GLH, R/T, or SRT. No Ford Shelby, SVO, or SVT. Honda V-TEC is allowed.)
2. All cars MUST have a decal on each side of the hood declaring engine size and type. Letters/numbers must be a minimum of three inches (3”) high. (See diagram.)
3. Four-cylinder engines only. Single cam, single overhead cam (SOHC), or dual overhead cam (DOHC) engines allowed. No turbochargers. No superchargers. No rotary engines.
4. Must maintain stock compression and compression ratio. Maximum compression ratio allowed 9.8:1 – NO TOLERANCE. (Exception: GM Ecotec L61 – Maximum 10.0:1.)
5. Engine displacement limit:

<b>Make/Model</b>	<b>Year</b>	<b>Engine</b>	<b>Valve Config.</b>	<b>Limit</b>
BMW 318/325	1982-1999	M40, M42, M43	SOHC or DOHC	1.9L
Chev. Cavalier/similar	2000-2006	Ecotec ( <i>L61 ONLY</i> )	DOHC	2.2L
Chev. Cavalier/similar	1992-2002	LN2	Pushrod	2.2L
Dodge Charger/Daytona	1981-1995	2.2 & 2.5	SOHC or DOHC	2.2L
Dodge Neon	1995-2005	A588, ECC	SOHC or DOHC	2.0L
Ford Escort	1980-2004	CVH	SOHC	2.0L
Ford Focus	1995-2004	Zetec	DOHC	2.0L
Ford Mustang	1974-1997	2300	SOHC	2.3L
Honda/Acura	1986-2005	B Series, D Series	SOHC or DOHC	1.8L
Hyundai	1995-2006	Beta I	DOHC	2.0L
Mazda Protégé/323	1985-1996	B Series	SOHC or DOHC	1.8L
Nissan 200SX	1995-1998	SR20DE	DOHC	2.0L
Nissan Altima	1992-2001	KA24DE	DOHC	2.4L
Pontiac Sunfire/similar	1987-2002	LD9/Quad 4	DOHC	2.4L
Saab 900/9000	1981-2009	H Engine	SOHC or DOHC	2.1L
Subaru	1996-1999	EJ25	SOHC <i>ONLY</i>	2.5L
Volkswagen	1974-2006	R4	SOHC	2.0L

6. Resurfaced cylinder heads and/or engine blocks must be shimmed to retain stock tolerance. (Example: If .010" planed from head, .010" shim must be used.)
7. Maximum overbore .020" for cleanup only – NO TOLERANCE.
8. Single-cam engines may use any camshaft. DOHC engines must run factory stock camshafts for year, make, and model.
9. Exhaust manifold must remain stock. Exhaust must dump behind driver from under car. Exhaust maximum 2" in diameter. Muffler and catalytic converter may be removed, though muffler may be required to meet 95 decibel limit.
10. Aftermarket air filter allowed. Must be contained inside engine compartment. No holes in hood. No air deflectors, ram air, cowls, sheet metal, hoses, tubes, inductors, or other additions allowed.
11. No antifreeze permitted. Other additives must be approved prior to use.
12. Aftermarket coil packs are allowed in the Mini Stock class, so long as they are stock or stock equivalent replacement parts with no clear performance advantage.
13. Traction control devices of any kind are not allowed. Factory systems must be disabled.

## **9. TRANSMISSION**

1. Transmission must be FACTORY STOCK for year, make, and model. All components must remain stock. Automatic or manual allowed.
2. No posi-traction transmissions allowed. No Mopar SRT Turbo transmissions allowed.
3. Flywheel, clutch, rear end, driveshaft, and all other driveline components must remain factory stock for year, make, and model.

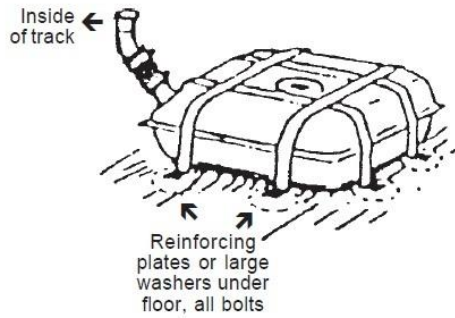
## **10. SUSPENSION & BRAKES**

1. Minimum ground clearance 4.5" at lowest point, including all cross members and body panels.
2. Wheel camber will be measured on wheel with official gauge. Maximum camber allowed on any wheel will be as follows:
  - Single Cam Engine: 6 degrees +/-
  - Dual Cam Engine or Subaru: 4 degrees +/-
3. Check with officials before making any alterations to struts, bolts, or any other suspension parts in order to obtain camber. This is a safety issue!
4. Any spring combination will be permitted. Springs must be stock or stock appearing – price limit \$65.00 (list price) per spring. Stock springs may be cut. Spring rubbers are allowed but must be securely fastened. No leaf springs.
5. Shocks and struts must remain in stock location and configuration on both front and rear – may be reinforced. Existing Mini-Modified-type cars with front struts moved and/or mounted to front roll bar hoop must add 25 pounds. Teams are strongly advised to not build any new cars with moved struts.
6. No coilover shocks or struts allowed. No adjustable shocks or struts allowed.
7. No rear steering allowed.
8. Brakes on all four wheels must work at all times. Anti-lock brake systems must be disabled.
9. Safety hubs allowed.

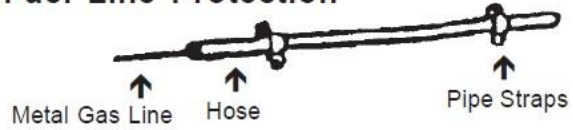
## **11. FUELING SYSTEM**

1. Pump gas only – maximum 94 octane. Fuel will be tested.
2. Fuel cell with foam and bladder highly recommended, 8 gallon maximum, securely mounted in trunk. Stock fuel tank permitted if located in front of rear axle. Fuel cell or tank must be secured by a minimum of two (2) one-inch (1") metal straps. (See diagram.)
3. Fuel pumps must be stock with stock pressure, and must turn off with ignition switch.
4. Fuel lines must be metal, mounted inside car, out of driver's reach. No plastic fuel filters.
5. NO LEAKS!

**Tank Installation #1  
Renegade/Mini Stock**



**Fuel Line Protection**



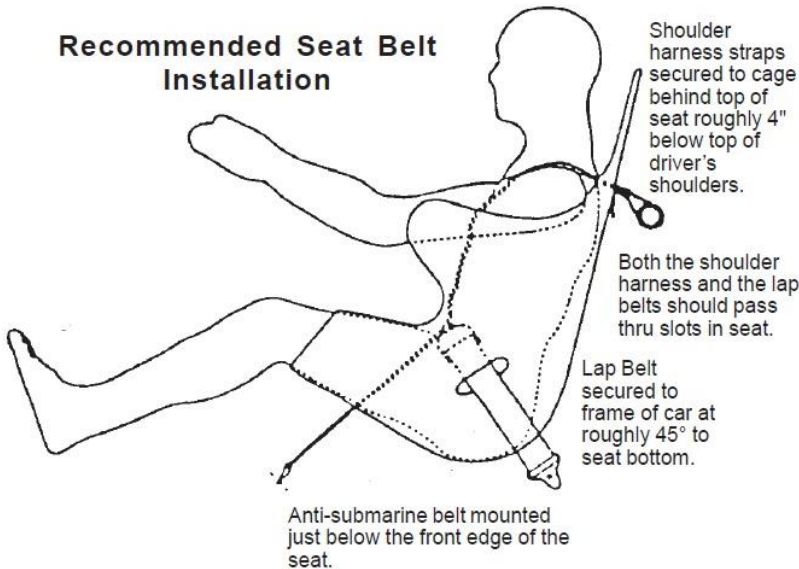
**12. TIRES & WHEELS**

1. Any DOT radial tire allowed. Minimum 360 tread wear. Must be 55 Series or higher. List price limit \$75.00 per tire.
2. One-inch (1") lug nut mandatory on all studs with 45° chamfer (bevel) lug nuts – NO EXCEPTIONS.
3. Any stock steel wheel permitted in 14", 15", or 16" diameter only. Maximum width 7". All four wheels must be matching diameter, width, and offset. Steel only – no alloys.
4. Aftermarket racing wheels allowed and recommended – 7" WIDTH ONLY. All four wheels must be matching diameter, width, and offset. Offset must be 3" MINIMUM.

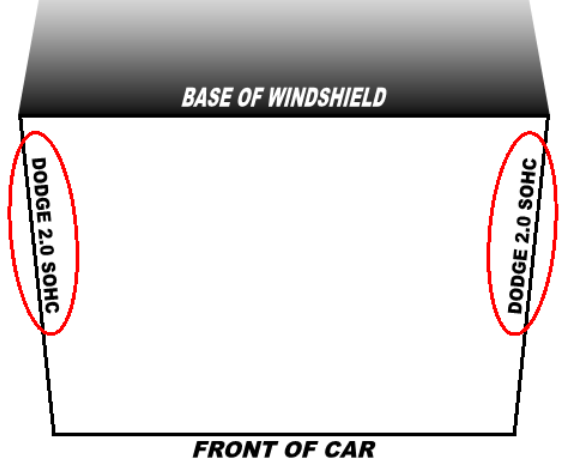
*Recommended Dealer:*

- Bassett Racing Wheels – Burlington, Wisc. – 1 (888) 888-7199 – [www.bassettwheel.com](http://www.bassettwheel.com)

**Recommended Seat Belt Installation**



**MANDATORY  
MINI STOCK ENGINE SIZE  
HOOD DECAL EXAMPLE**



**ALL RULES SUBJECT TO CHANGE WITH OR WITHOUT NOTICE. EIRI 2/10/16  
Devil's Bowl Speedway © 2016**